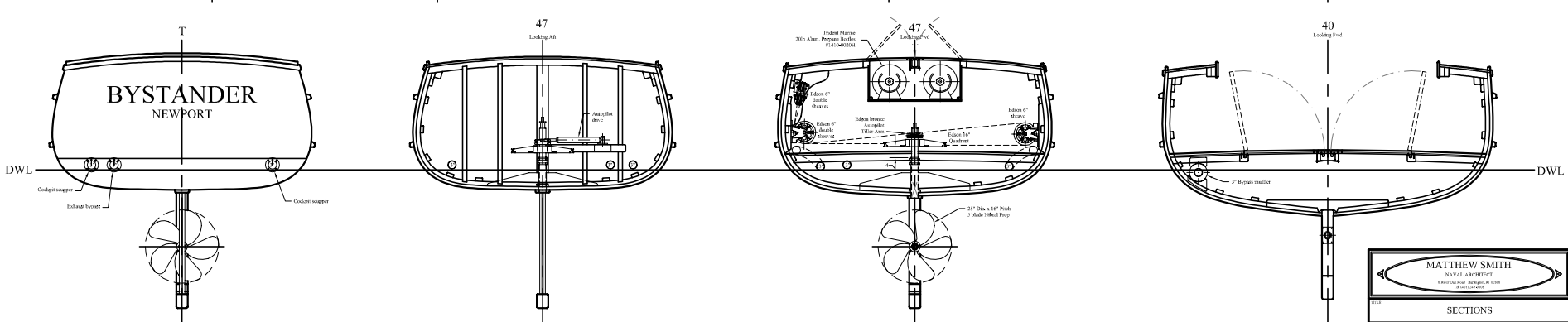
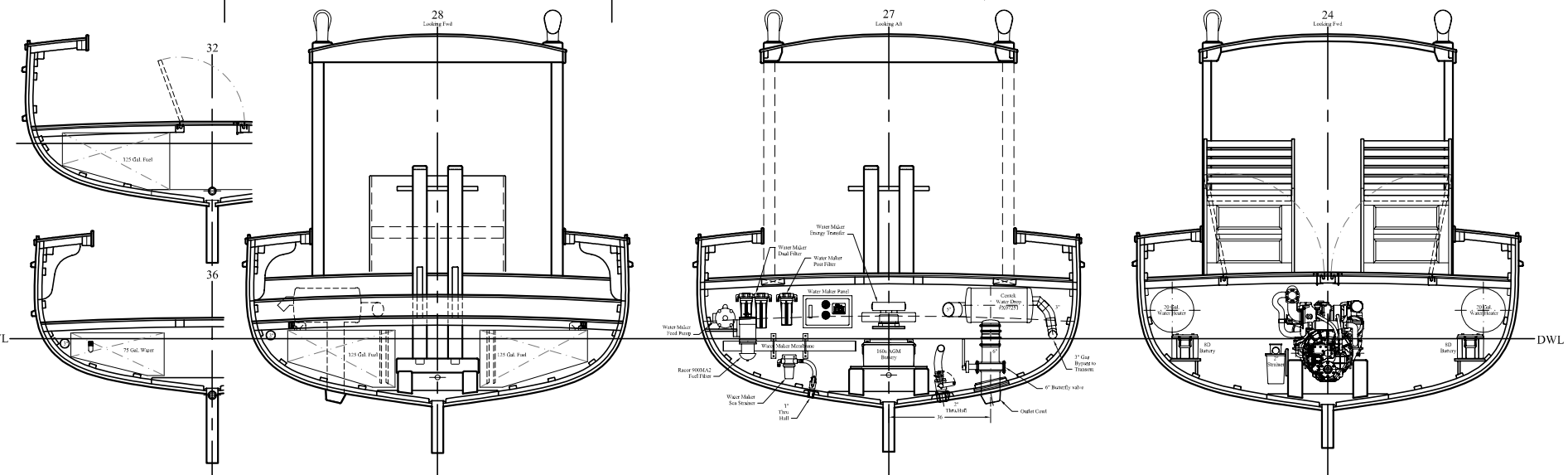
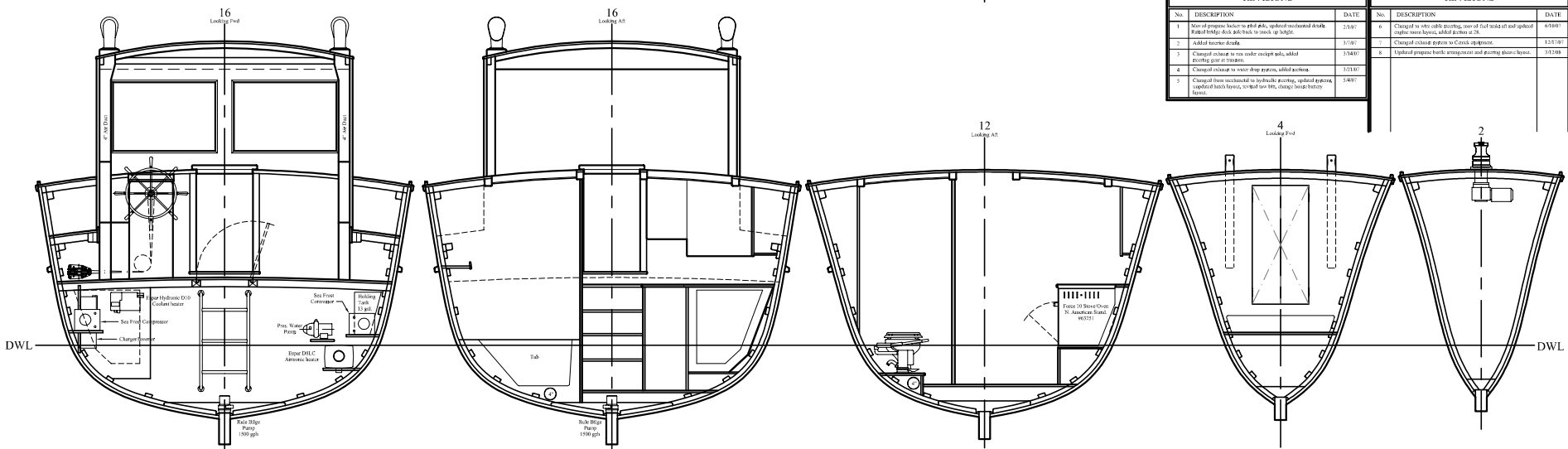


REVISIONS			REVISIONS		
No.	DESCRIPTION	DATE	No.	DESCRIPTION	DATE
1	Rev of propeller locker to #16 Aft, updated restricted deck layout for deck Aft and back to deck up 1/4" ftg.	3/3/08	4	Changed to wire cable routing, use of full back aft and updated engine room layout, added deck Aft 2/8.	6/26/07
2	Added motor storage.	3/17/08	5	Changed engine locker to use cable in system.	1/23/07
3	Changed exhaust to use under cockpit table, added footing for it in transit.	3/14/08	3	Updated propeller locker arrangement and gassing photo locker.	3/27/08
4	Changed exhaust to use deep water, added suction.	1/21/07			
5	Changed from restricted to technical drawing, updated engine locker back layout, to full size 8/8, change back battery house.	1/4/07			



MATTHEW SMITH
NAVAL ARCHITECT
1000 1st Street, Newport, RI 02840

SECTIONS

BYSTANDER - 3 Class Management

DATE: 10/1/08
SCALE: 1/4" = 1'-0" (as shown)
DRAWN BY: [Signature]
CHECKED BY: [Signature]
DATE: 10/1/08