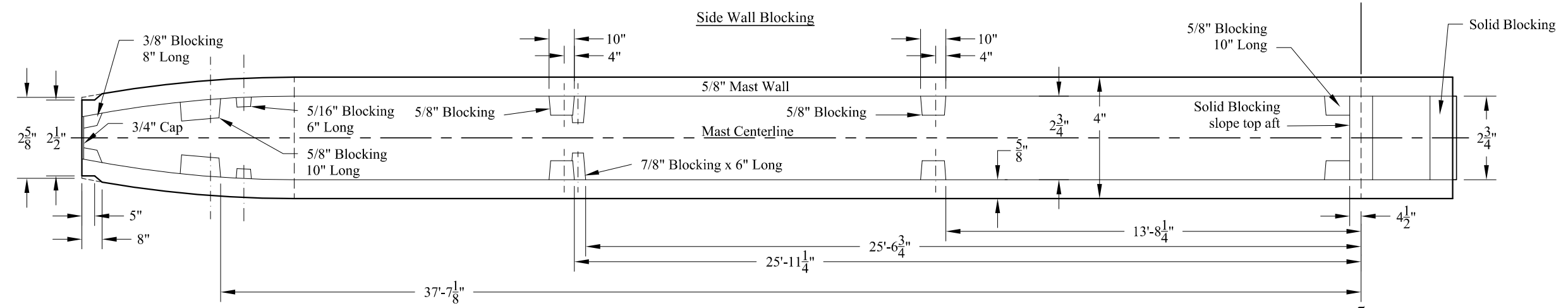
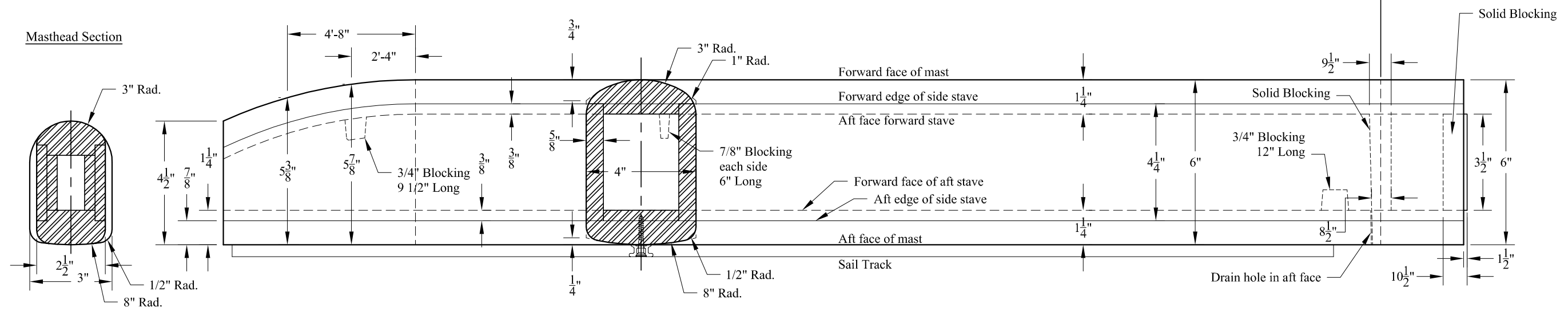


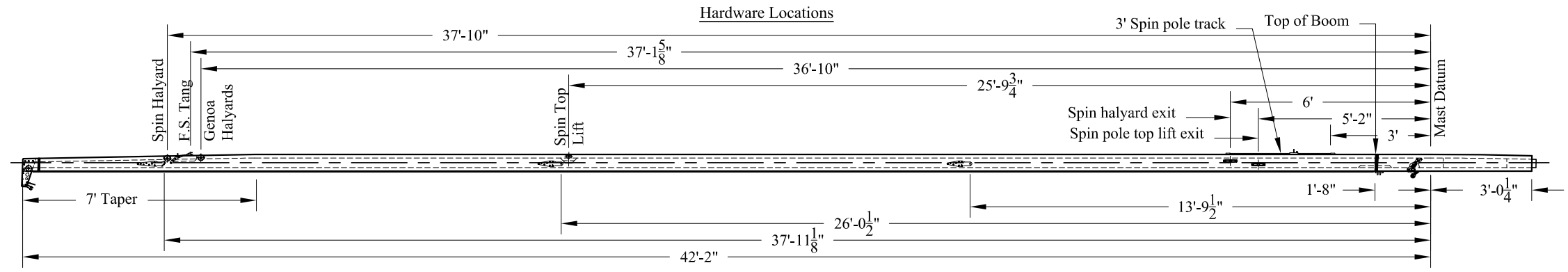
Drawing Scale  
 1/4" = 1'-0"      3" = 1'-0"



Mast Dimensions



Hardware Locations



Rev. 1 - Feb. 15, Vertical scale on page corrected.

**MAST TAPER and  
 BLOCKING DETAILS**  
 BB25 RESOLUTE